

Q-Switch Driver

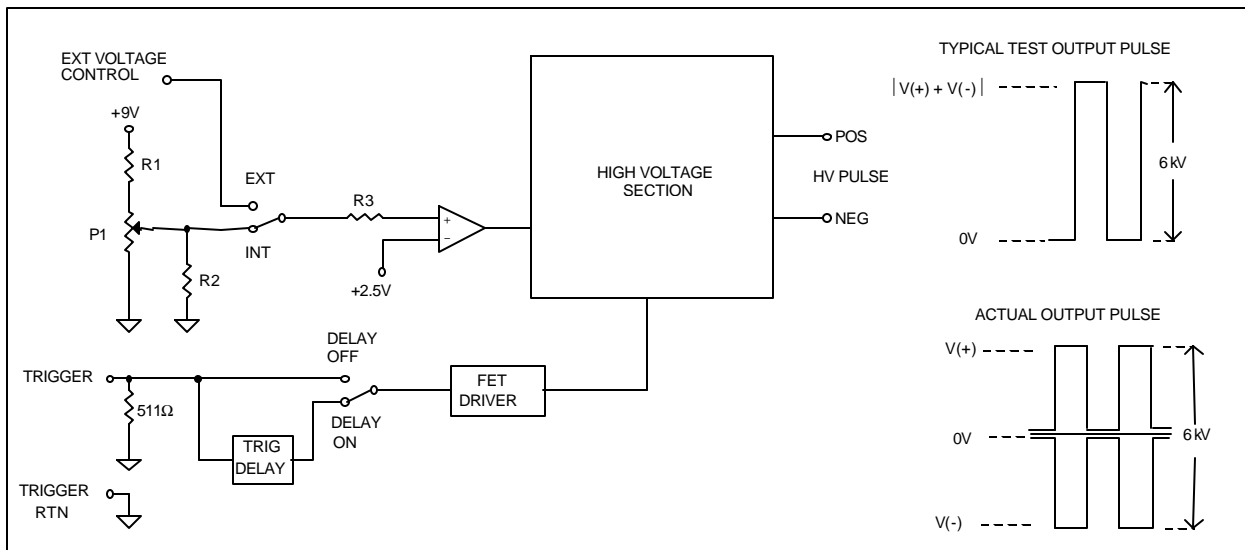
FEATURES

- ✦ Adjustable Output To 6kV
- ✦ Risetime $\leq 20\text{ns}$
- ✦ Rep Rate to 200Hz

SPECIFICATIONS

Trigger Input		Output	
Level	+5V into internal 511 Ω load	Level	Up to 6kV, adjustable, floating output
Pulsewidth	5 μs to 500 μs	Leading & Trailing Edges	$\leq 20\text{ns}$ into 4.7pF, 100M Ω (valid for outputs of 2kV to 6kV)
Repetition Rate	Up to 200Hz (6pF, 100M Ω load)	Pulsewidth	Same as trigger pulsewidth
Delay	250ns min, or 50-500 μs adjustable by dial or external program voltage	HV Output Control	Multi-turn trimpot or external voltage (selectable) Scale: 1V = 1kV output level
Power	100-240 VAC, 1 ϕ , 50-440Hz	Monitor	Scale: 1V = 1kV output level BNC to monitor HV prior to pulse
Temperature	0 $^\circ$ to 50 $^\circ$ C	Size	7.07" x 5.31" x 2.25"
Connectors			
Trigger Input	BNC		
Ext. HV Adjust	BNC		
HV Monitor	BNC		
HV+ Output	SHV		
HV- Output	SHV		

EQUIVALENT CIRCUIT & WAVEFORM



OUTLINE DRAWING – Model 2-022

